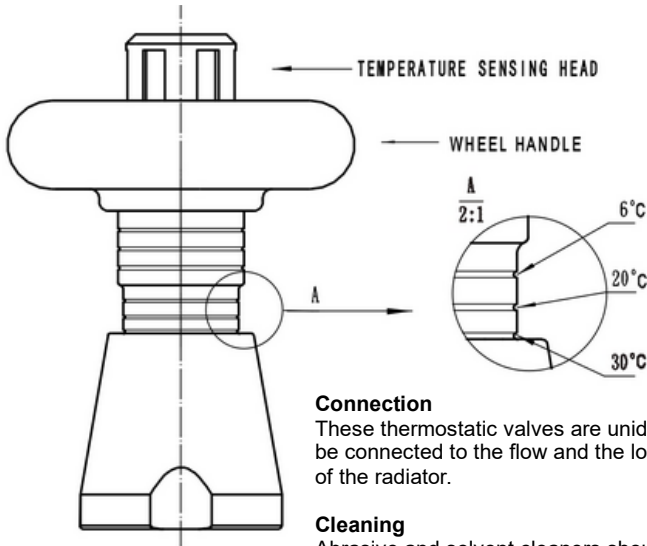


# Traditional Thermostatic Radiator Valve



Temperature sensing head  
Do not cover and keep clean from dust

## Connection

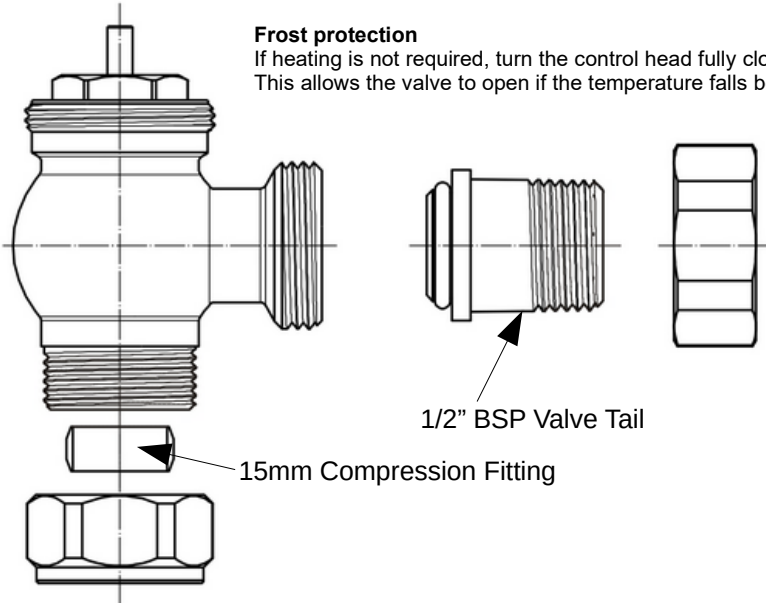
These thermostatic valves are unidirectional. The TRV should be connected to the flow and the lockshield to the return side of the radiator.

## Cleaning

Abrasive and solvent cleaners should not be used when cleaning the valves to avoid the risk of scratching the decorative surface.

## Frost protection

If heating is not required, turn the control head fully clockwise. This allows the valve to open if the temperature falls below 5°C.



## Positive Lock-Off Maintenance Cap (also known as a decorator's cap)

This can be used when removing the radiator from the system to ensure a positive lock-off: Open the valve fully, then unscrew the thermostatic head, place this cap on top of the valve pin, replace the thermostatic head. Once inserted finger-tighten the head only. A 1/4 turn is usually sufficient, do not excessively tighten.